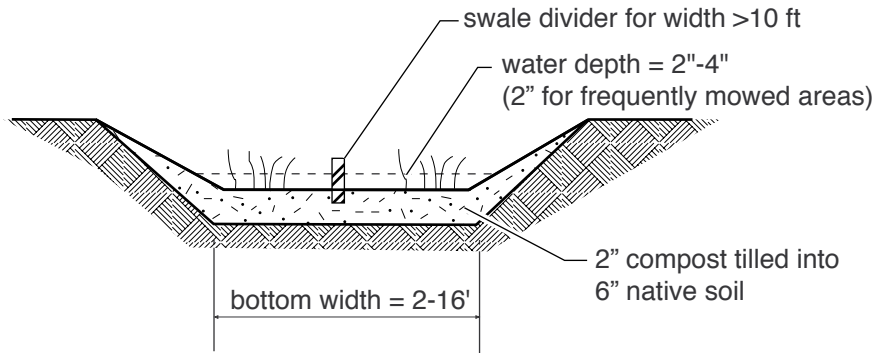


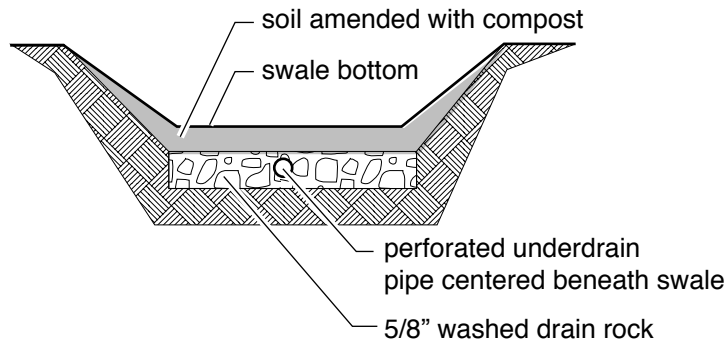
Typical Bioswale



BIOSWALE SECTION

not to scale

Underdrain for Slopes < 1.5%



NOTE: Underdrain must infiltrate or drain freely to an acceptable discharge point.

BIOSWALE WITH UNDERDRAIN SECTION

not to scale