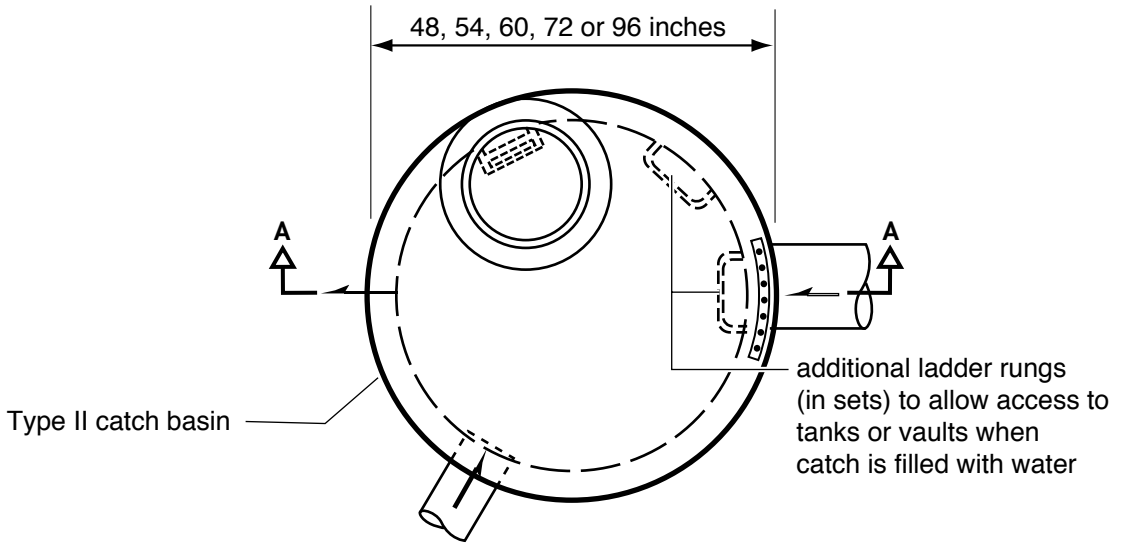
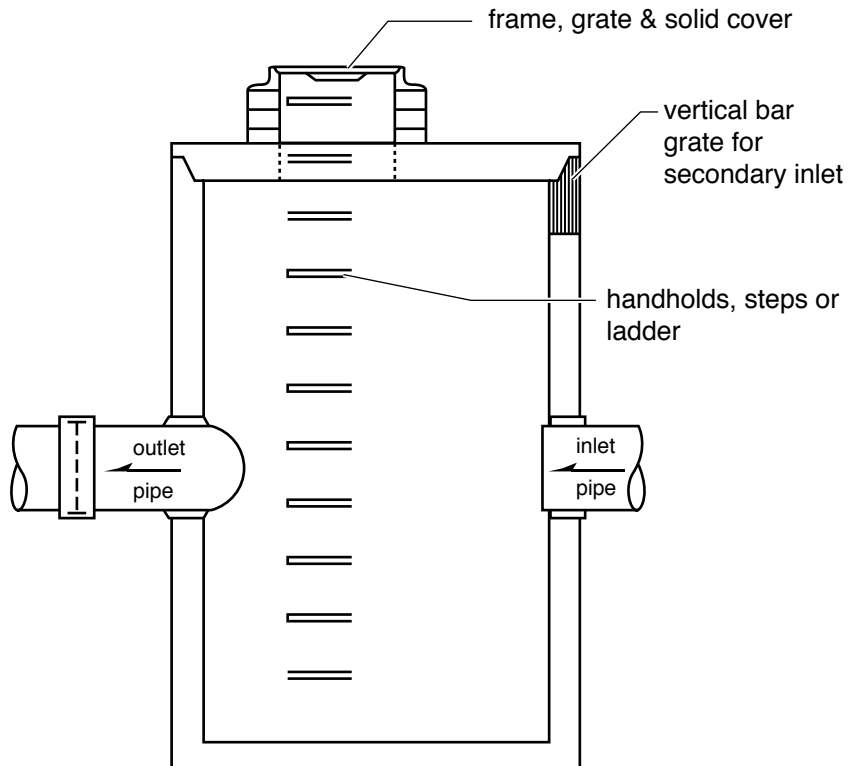


Type II Catch Basin

(Round concrete structure)



PLAN VIEW
not to scale



SECTION A-A
not to scale