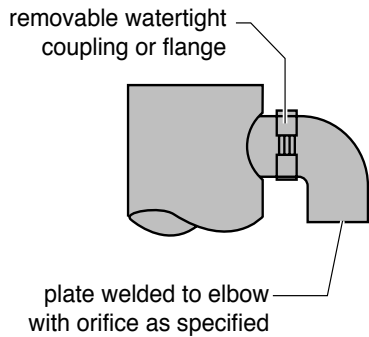
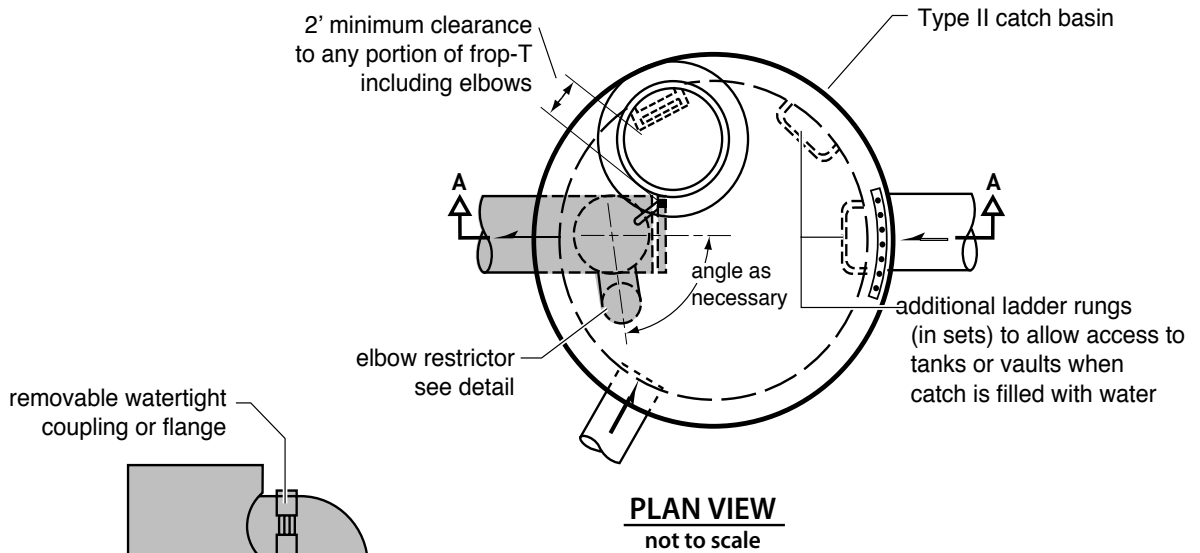
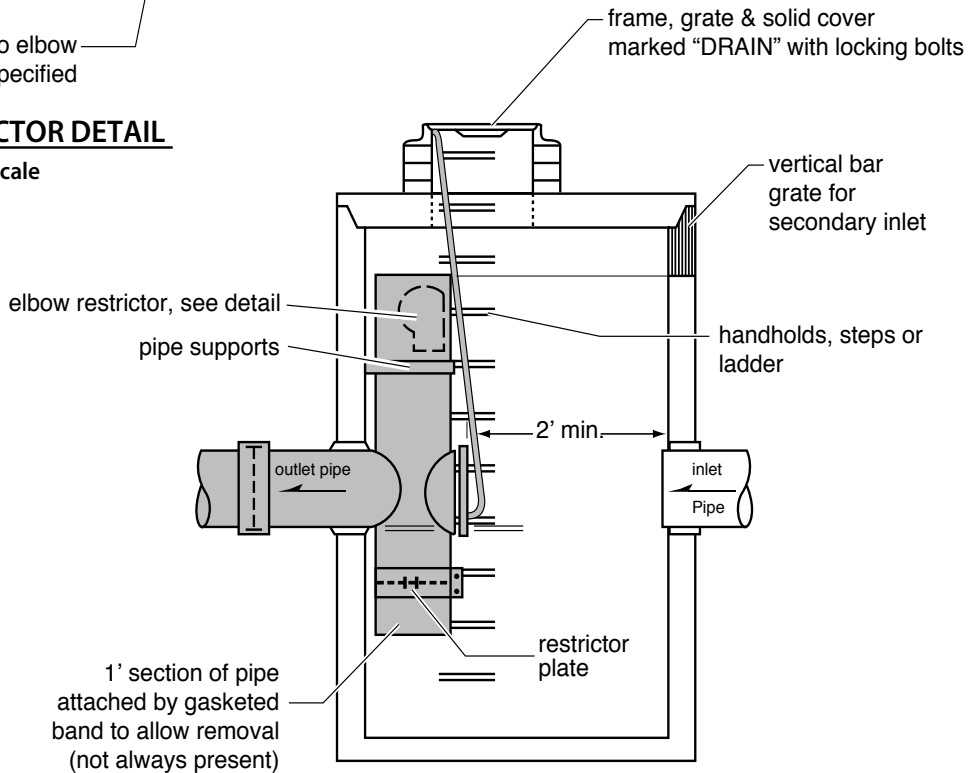


Flow Restrictor (T-Section)

(Found in Type 2 Catch Basins)



ELBOW RESTRICTOR DETAIL
not to scale



SECTION A-A
not to scale